



Vasiliki Sountou Jewellery

Ring Size Chart Instructions

Vasiliki Sountou Jewellery

Ring Size Chart



We usually know our ring size. If you don't though, please follow our guide:)

Well, here are a few things that you need to know about your ring size.

There are many factors that can influence the size of your fingers: if it's cold or hot, the time of the day, weight variations.... the ideal way to be sure of your ring size would be to use as a reference a ring you own that fits you comfortably and ask in a jewelry shop to measure its size with a ring mandrel.

In alternative, you can ask to measure your finger with a ring gauge.

There are many ways to calculate a ring size, depending on where you are.

In Greece, ring sizes are calculated in accordance with the 8653:1986 ISO Standard, i.e. by determining the inside diameter measured in millimeter (mm).

By size, we mean the ring's inside diameter and circumference. The following table correlates the inside diameter or diameter of the ring with its size.

Below, you will find two ways of measuring your ring size. Choose the one that is convenient to you, or choose both just to be sure!

Still in doubt?

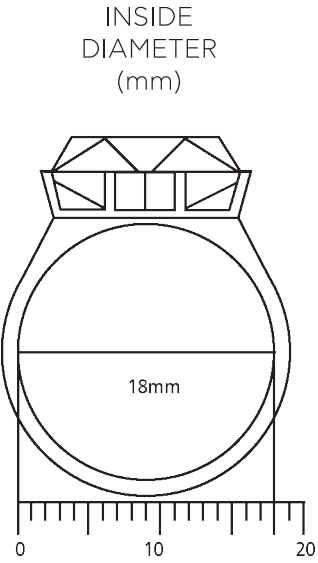
No problem! Get in touch and we'll figure it out.



Ring Size Chart

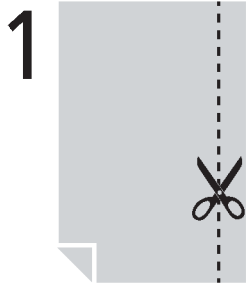
INSIDE DIAMETER (mm)	INSIDE CIRCUMFERENCE (mm)	SIZE
----------------------	---------------------------	------

13,06	41	41
13,26	41,7	42
13,67	42,9	43
14,07	44,2	44
14,27	44,8	45
14,68	46,1	46
14,88	46,8	47
15,29	48	48
15,49	48,7	49
15,9	50	50
16,31	51,2	51
16,51	51,9	52
16,92	53,1	53
17,32	54,4	54
17,53	55,1	55
17,93	56,3	56
18,14	57	57
18,54	58,3	58
18,75	58,9	59
19,15	60,2	60
19,56	61,4	61
19,76	62,1	62
20,17	63,4	63
20,37	64	64
20,78	65,3	65
21,18	66,6	66
21,39	67,2	67
21,79	68,5	68
22	69,1	69
22,4	70,4	70
22,61	71	71
23,01	72,3	72
23,42	73,6	73
23,62	74,2	74
23,83	74,8	75

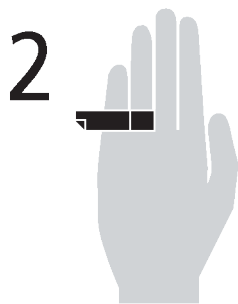




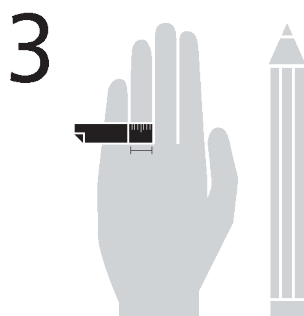
Ring Size Chart



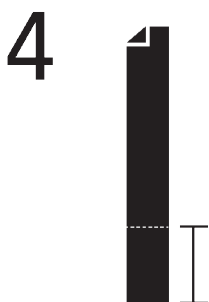
Cut a thin strip of paper or a fine stitching yarn, i.e. 10mm (1cm) thick and 40-80 mm (4-8cm) long. The thickness of the paper or yarn allows fewer errors in measurements due to its wider surface.



Wrap the strip of paper around the area of the finger where you are supposed to wear the ring. The strip must neither be wrapped too tight nor too loose around the finger.



Mark the spot where the paper meets and measure the distance with your ruler. The images will help you to furtherly understand the procedure.



Finally, take the measured length of the paper and compare it to the following table in order to find out the respective inside diameter and size of the ring. If the measurement falls somewhere in between two whole sizes, we recommend you to choose the bigger size.